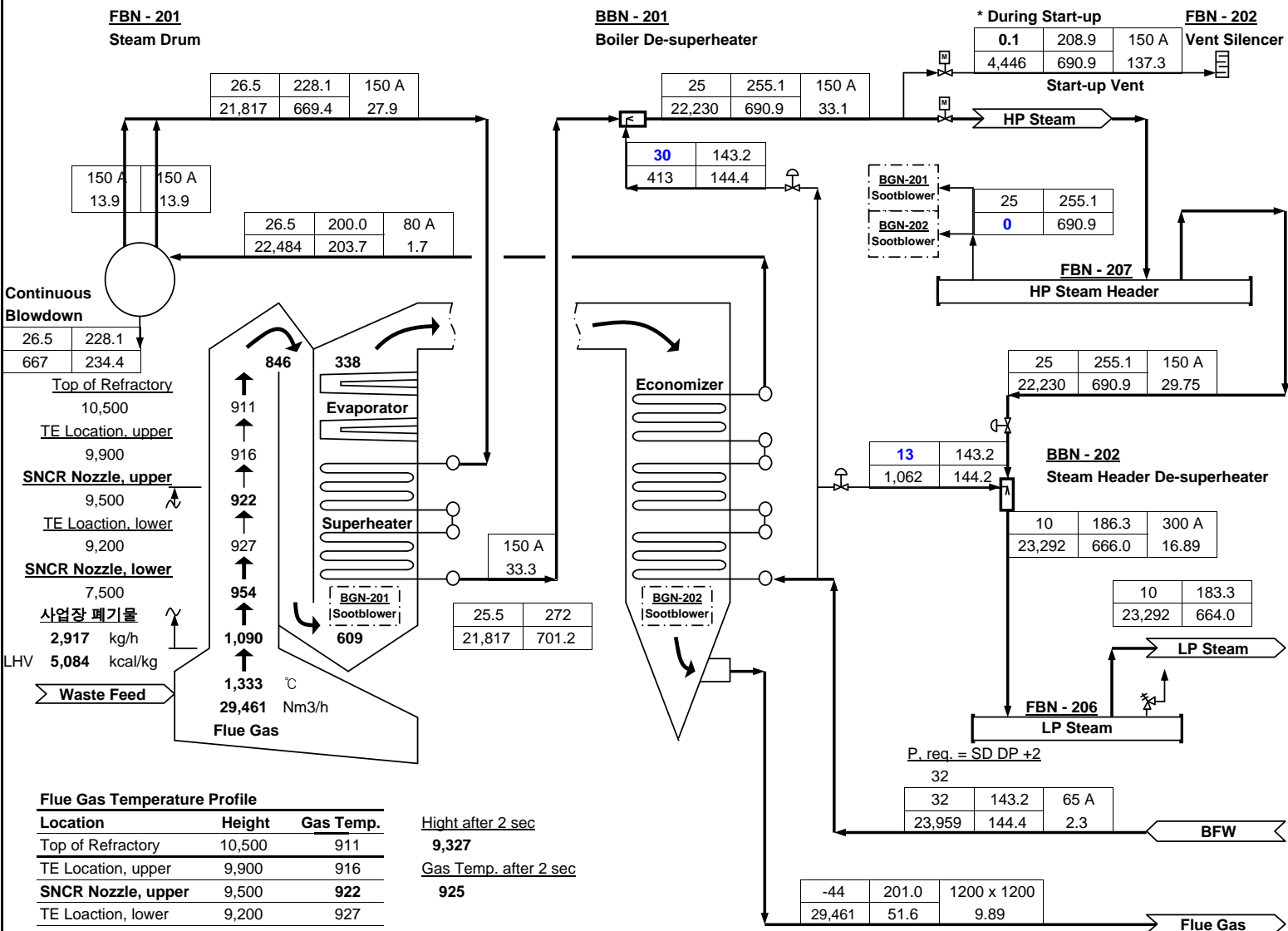


PROCESS FLOW DIAGRAM

Project No.	SE2518	Item No.	BFN - 201
Project	Samsung Electronics Incinerator Revamping Project	Service	Boiler Package

Doc. No.	2518-VP-5-BFN201-004-3		
Date	2014. 2. 4.		
Revision	0		
Sheet No.	1	of	1



OPERATION DATA		
Load	100	%
S/H Steam Flow	22,230	kg/h
S/H Steam Press.	25	kg/cm2.g
S/H Steam Temp.	255.1	°C
Sat. Steam Press.	26.5	kg/cm2.g
Feedwater Temp.	143.2	°C
Blowdown Rate	3	% Steam Flow

FLUE GAS		
Source	Waste Incinerator	
Waste Gas	Flue Gas	
Load	MCR	
Flowrate, Inlet	29,461	Nm3/h
Temp., Inlet	1333	°C
Press., Inlet	-30	mmH2O
Heat Loss	3.2	%

Legend

P	T		
Q	h		

P Press. kg/cm2.g mmH2O
 T Temp. °C →
 Q Flow kg/h Nm3/h
 h Enthalpy kcal/kg →

NPS NPS Nominal Pipe Size NB(A)
Vel. Vel. Fluid Velocity m/sec